

# RAMSES 814 BLE UP

Item no.: 8140150

theben

Climate control  
Clock thermostats

## Description

- Digital clock thermostat for time-dependent monitoring and control of room temperature
- Mains version
- Suitable for energy-saving room temperature control in houses, apartments, etc.
- Operation via app
- Installation in flush-mounted box, usable with any switch program or under blind cover
- Temperature sensor included
- Direct Bluetooth Low Energy (BLE) connection between the app and RAMSES BLE, no communication via the Internet
- Settings configured conveniently via the app with intuitive operation from a smartphone or tablet
- Increased user convenience
- External input for the flexible connection of the external temperature sensor, floor sensor, motion detector or telephone contact
- Intelligent control algorithm (pulse-duration controller, hysteresis controller)
- Suitable for on/off heating systems, zone-based or single-room control, electric heating units



## Technical data

RAMSES 814 BLE UP	
Operating voltage	230 V AC
Frequency	50 Hz
Switching capacity	8 A at 250 V AC, $\cos \varphi = 1$ , 1 A at 250 V AC, $\cos \varphi = 0.6$
Setting range temperature	2°C ... 30°C
Program	Weekly program

RAMSES 814 BLE UP	
Number of memory locations	42
Suitable for SELV	No
Power reserve	4 years
Installation type	Flush-mounted

Subject to technical changes and misprints

additional information at: [www.theben.de/product/8140150](http://www.theben.de/product/8140150)

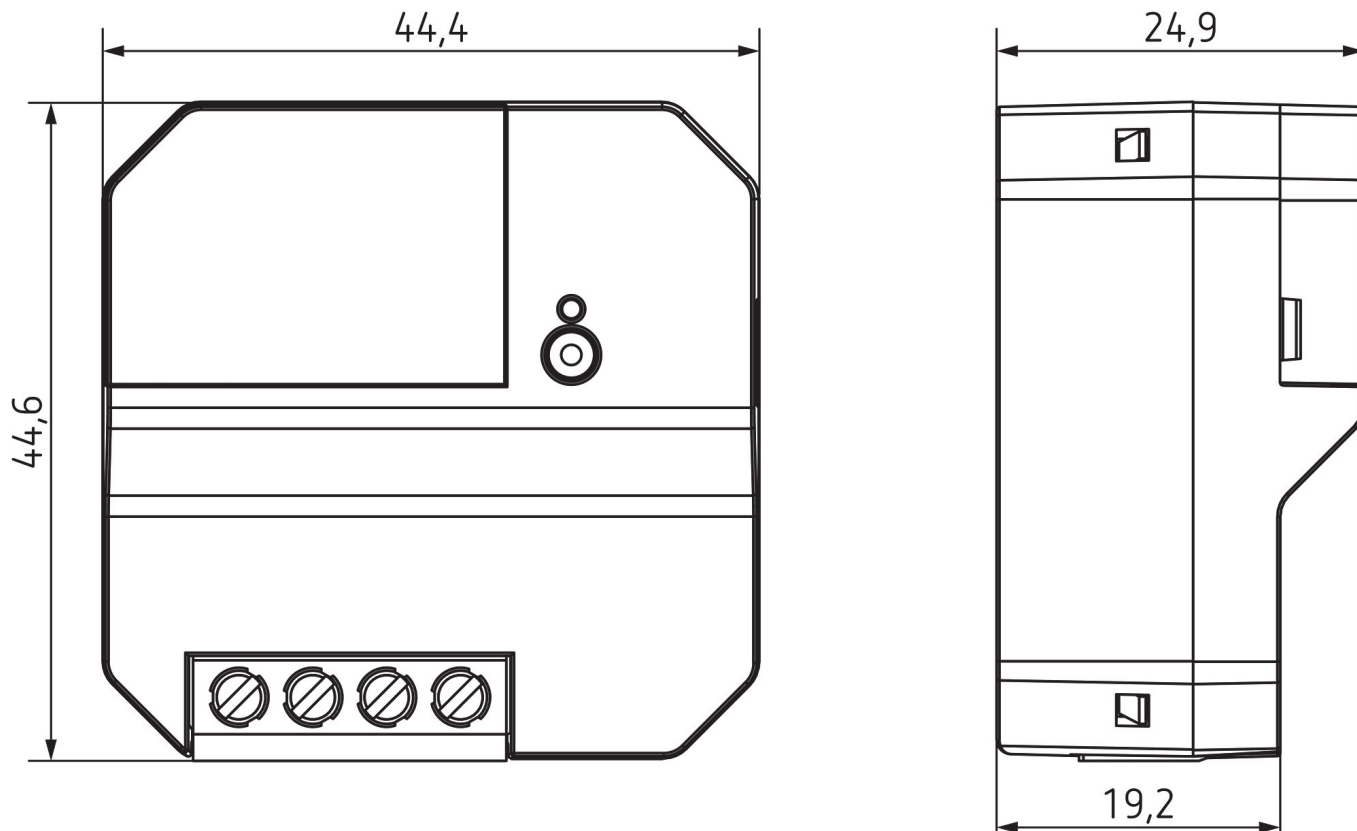
The load data are determined with exemplary selected illuminants and are therefore typical data due to the large number of available products.

# RAMSES 814 BLE UP

Item no.: 8140150

**theben**

## Scale drawings

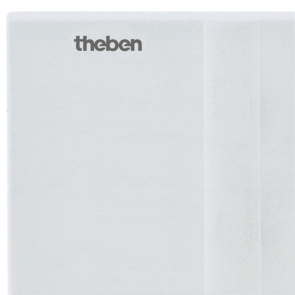


## Accessories

Temperature sensor  
Item no.: 9070321



Temperature sensor RAMSES IP  
65  
Item no.: 9070459



Subject to technical changes and misprints

additional information at: [www.theben.de/product/8140150](http://www.theben.de/product/8140150)

The load data are determined with exemplary selected illuminants and are therefore typical data due to the large number of available products.

07/08/2022  
Page 2 of 2